



MARKET UMBRELLAS & Outdoor Furnishings

Corporate Office & Manufacturing
9242 Route 35
Mt. Pleasant Mills, Pennsylvania 17853

570 / 539-8945
570 / 539-2592 fax

Florida Sales Office/Showroom & Service Center
940 Oakland Avenue
Suite A-5
Oakland, Florida 34787

407 / 656-8612
407 / 656-8622 fax

California Sales Office
122-A East Foothill Boulevard #197
Arcadia, California 91006

626 / 607-7261
626 / 628-3708 fax

www.holtzkraft.com
customerservice@holtzkraft.com

Printed in the USA / 5000 / 07-2008



*American Holtzkraft, Inc. Market Umbrellas
and Synthetic Wood Furniture shown on the shores of La Playa*



TABLE OF CONTENTS

3 MARKET UMBRELLA ANATOMY
4 HARDWOOD FINISHES
5 STANDARD UMBRELLA FEATURES
7 RESORT COLLECTION
9 KEYSTONE COLLECTION
11 INCREDIBLE WOODEN UMBRELLA
13 INCREDIBLE ALL ALUMINUM UMBRELLA
15 NAUTICAL COLLECTION
17 WOODEN PAGODA UMBRELLAS
19 SYNTHETIC THATCH COLLECTION
21 THEME PARK (ALUMINUM) COLLECTION
23 THEME PARK - PAGODA (ALUMINUM)
25 MEGASHADE COLLECTION
29 CANTILEVER COLLECTION
31 LIGHTING OPTIONS
32 CUSTOM LOGO OPTIONS
33 UMBRELLA STANCHIONS
35 UMBRELLA STANDS & BASES
37 INTERNATIONAL COLLECTION
BEACH CABANAS
39 INTERNATIONAL COLLECTION
TENT CABANAS
41 AMERIKRAFT™
SYNTHETIC WOOD FURNISHINGS
45 PRODUCT INDEX



WELCOME TO AMERICAN HOLTZKRAFT...

...the best kept secret in central Pennsylvania. In the quiet, rural community of Mt. Pleasant Mills, our family and talented staff have been manufacturing market umbrellas and outdoor furnishings for over twenty years.

At American Holtzkraft, we have merged imagination and high quality materials with renowned Pennsylvania Dutch craftsmanship to produce the finest quality market umbrellas in the industry. Built to last, our umbrellas are constructed with Northern Ash, the hardest wood grown in the United States. And, with canopies of attractive, durable fabrics, multi-laminated hubs and finials, and solid brass hardware - these umbrellas exude quality.

Beauty, workmanship, and functionality make our umbrellas and outdoor furnishings a graceful addition to any patio, terrace, or beach setting.

Our commitment to detail, workmanship and our continued exploration of innovative designs are the foundation of American Holtzkraft. Satisfying our discerning customers, who appreciate Pennsylvania Dutch craftsmanship for today's lifestyle, is our goal.



See for yourself...the beauty...the detail...the workmanship.
When you select an American Holtzkraft product,
you know you've made a special choice!

Pennsylvania Dutch craftsmanship

quality & lasting beauty

AMERICAN HOLTZKRAFT'S MARKET UMBRELLA ANATOMY



1 DECORATIVE FINIAL

Multi-laminated hardwood, carved, and hand tooled to a simple, elegant accenting finial. Other non-standard finial styles are available.

2 REINFORCED LEADING EDGE HEM

Fabric is double folded and triple stitched with ultraviolet (UV) protected thread for matching longevity of fabric and thread.

3 AIR VENTS

Single and double vent options allow strong wind to escape from canopy; providing a safe and efficient means of dissipating air from the umbrella.

4 REINFORCED STRESS POINTS

A double layer of fabric is sewn in and double stitched to provide added strength against the stresses of wind and weather.

5 REINFORCED HUBS

All hubs are multi-laminated and stainless steel reinforced for optimal strength. Tested stainless steel fasteners are used for operating strength against harsh environments.

6 NON-EXPANSION SLEEVE

A seamless aluminum marine grade sleeve around the bottom of the pole. Prevents the pole from expanding due to moisture.

CONNECTING HARDWARE

7 Solid brass or stainless steel bolts and nuts connect the arms and ribs, protected by neoprene washers.

PIN AND CHAIN

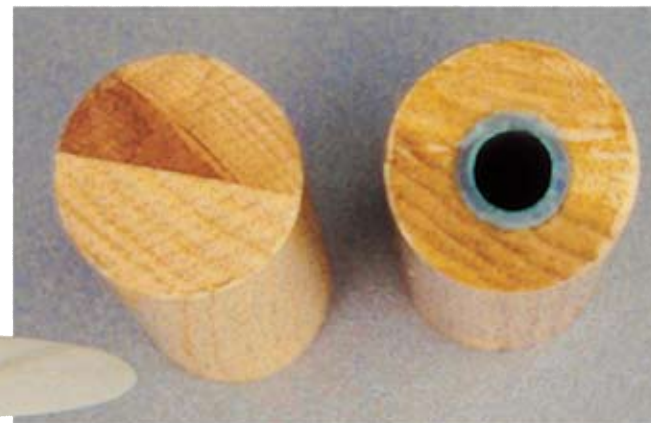
8 Solid brass or stainless steel pin and chain are used to adjust the height and tautness of canopy fabric. Heavy chain keeps pin intact with umbrella.

FIVE LIFT MECHANISMS:

- Traditional manual lift
- Single pulley
- Double pulley
- Three to one ratio marine lifting system
- Automatic opening device

9 POLE

American Holtzkraft, Inc. boasts "the original steel pipe reinforced laminated pole", which provides tested strength over the thin steel rods used by some manufacturers. North American Hardwood Ash (used for baseball bats) is dried and cut lengthwise and horizontally laminated with marine grade glue tested for outdoor use.



Wood standard pole sizes 1-1/2", 2" and 2-3/8". Aluminum poles are made of heavy marine grade 6061-T6 seamless aluminum 1/8" wall thickness. Optional finishes include wood powder coated finish.

AMERICAN HOLTZKRAFT'S HARDWOOD FINISHES

Distinctive hardwood grains are preserved by slow kiln-drying, sealing, and a slow drying of multiple natural or wood toning finishes, in the colored finishes below:

- A** Teak
- B** Natural
- C** Mahogany
- D** Stonehenge Gray
- E** White Wash
- F** Black Enamel
- G** White Enamel



Color reproduction of the above finish colors, is as close as possible using commercial printing methods.

STANDARD FEATURES

Durable Varnish

- Multiple coats of marine varnish increase weather and water resistance.
- Varnish is specially formulated with ingredients that screen out the destructive ultraviolet rays of the sun, which is one of the principle causes of deterioration and loss of gloss on any varnish film, and helps prevent the wood from aging dark.
- VOC compliance meets clean air standards.
- Clear air formula.

Wood Stains

- Penetrates and seals the wood from moisture while adding rich color.
- Semitransparent feature shows wood grain and adds long-lasting protection.

All umbrellas and furniture products are available in a variety of wood species including: Plantation-Grown Teak and Western Cedar.

American Holtzkraft, Inc. reserves the right to change product specifications without notice.

Note

ABOUT OUR UMBRELLAS & WIND TUNNEL TESTING

American Holtzkraft, Inc. takes this opportunity to boast the results of its official wind tunnel test performed by a respected university, achieving an impressive 74.5mph before any failure. Complete test results for most models are available upon request, with a video of various tests for your viewing pleasure.

OUR STANDARD UMBRELLA FEATURES

While many have tried to imitate our designs, our features are known by our success.

LASTING BEAUTY

- Distinctive hardwood grains are preserved by slow kiln-drying, sealings and slow drying of multiple finishes

STRENGTH, ENGINEERING QUALITY & DURABILITY

- Full-length solid ash pole is laminated for strength and protection against warping
- Aluminum flush pole guard protects pole and minimizes swelling within the stand
- Hub is horizontally multi-laminated with Northern Ash, the hardest wood grown in the U.S., and reinforced internally with stainless steel hardware. Hub design accents strength, keeping the wood girth in all weather
- Multi-laminated finial provides further protection against excessive exposure to weather
- Flexible, durable, high-gloss finish for outdoor use
- Solid brass fabric-connecting brackets are sealed with clear lacquer. Solid brass grommets and screws attach the fabric. All screws are flush to protect the fabric when umbrella is closed
- Heavy, solid brass eye-screw and chain connect the positioning pin
- Stainless steel self-locking acorn nuts for permanently securing rib joints



OUR UMBRELLAS' QUALITY FEATURES

Many of our umbrella features hold patents for their unique and valuable additions to our products

ENGINEERING QUALITY

Engineered and patented by American Holtzkraft, Inc. Specifications available upon request.

- Automatic opening devices for ease of opening and closing on several models. Patent No. 4928718
- Rotating Canopy to release stress from pole and hubs allowing umbrella to be left open in most weather conditions. Patent No. 5020557
- Double vent feature allows the air to escape the canopy in strong winds

STRENGTH & DURABILITY

- Reinforced laminated pole with full-length 3/8" galvanized steel pipe in center. (Recommended for 1-1/2" pole)
- Stainless steel hardware trim for marine applications
- Fire retardant fabric treatment
- Stainless steel flush pole guard for maximum protection against swelling
- Wood toning, various finishes and gloss protective build. (Call for quote)

VERSATILITY

- Pole length may be adjusted for in-ground use; flush pole guard available in various lengths
- Reverse poles for hanging umbrellas
- Wide selection of stock fabrics, custom fabric weaving and sewing, silk screening and logos
- Flush-to-surface rib lighting and/or down lighting packages available with hidden wires

Note

American Holtzkraft, Inc. reserves the right to change product specifications without notice. All umbrellas feature 100% acrylic woven fabric or comparable fabric.

Although constructed from the finest materials, all umbrellas and furniture are specially exempt from any warranty due to severe weather conditions to which umbrella or furniture may be subjected. Umbrellas / furniture must be inspected upon receipt. If any defects are discovered, they should be reported immediately and must not be put into service.

Warranty

RESORT COLLECTION

Sophisticated design and engineering distinguish these market umbrellas from the competition - a favorite where weather changes without warning.



MODEL #702 8' OCTAGON UMBRELLA
(1-1/2", 2" or 2-3/8" Pole)

MODEL #702B 8' OCTAGON UMBRELLA
WITH ROTATING CANOPY
(1-1/2" Steel Reinforced Pole)

MODEL #702C 8' OCTAGON UMBRELLA
WITH DOUBLE VENT
(1-1/2", 2" or 2-3/8" Pole)

UNSURPASSED QUALITY & STYLE

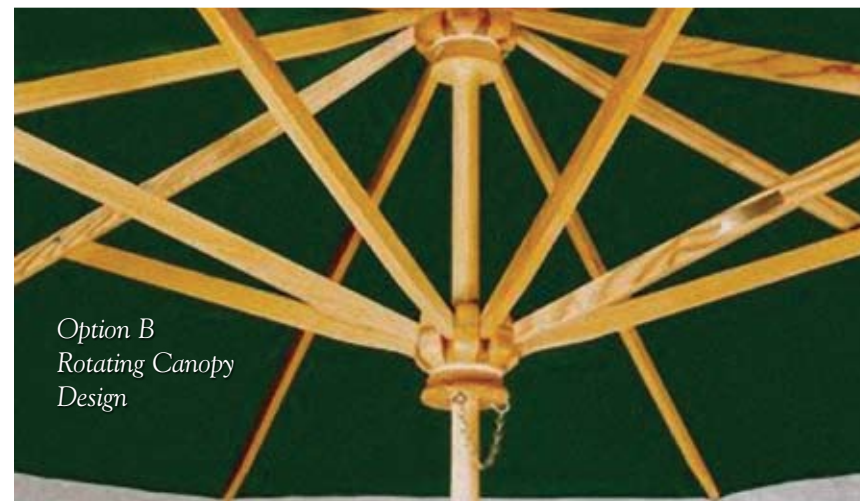
Our original design rotates around the axis of our steel reinforced pole dissipating stress and excess wind through the canopy rotation. This ingenious way of addressing the hours of stress applied to the mechanisms of a market umbrella is protected by our Patent #5020557 and proven with actual performance stress testing. The American Holtzkraft, Inc. rotating canopies have been the source of envy by others in the industry.

No sales pitch is necessary for our Resort Collection, as the backbone of our umbrella line, stands tall against the test-of-time and the changing trends of the future.

OPTIONAL PATENTED FEATURES

- Rotating canopy, makes the umbrella dependable in most weather conditions
- Double vent feature, allows the air to escape the canopy in strong winds

Fine worldwide resorts and hotels have truly seen the test-of-time and challenges met by this umbrella's unsurpassed success.



Option B
Rotating Canopy
Design



KEYSTONE COLLECTION

The cornerstone of our company – simple, elegant umbrellas with patented features, making this series the best known in the industry.



Model #702



Model #705



Model #707



Model #711.5



Model #718

OCTAGON UMBRELLAS

- MODEL #701** 6' OCTAGON UMBRELLA
(1-1/2" Pole)
- MODEL #702** 8' OCTAGON UMBRELLA
(1-1/2" Pole)
(1-1/2" Steel Reinforced Pole)
- MODEL #703.5** 10' OCTAGON UMBRELLA
(1-1/2" Steel Reinforced or 2" Pole)
- MODEL #705** 12.5' OCTAGON UMBRELLA
(2" Steel Reinforced or 2-3/8" Pole)
- MODEL #706** 15' OCTAGON UMBRELLA
(2" Steel Reinforced or 2-3/8" Pole)

SQUARE UMBRELLAS

- MODEL #707** 5' SQUARE UMBRELLA
(1-1/2" Pole)
- MODEL #709** 7' SQUARE UMBRELLA
with 8 Ribs (1-1/2" or 2" Pole)
- MODEL #710** 8' SQUARE UMBRELLA
with 8 Ribs (1-1/2" Steel Reinforced
or 2" Pole)
- MODEL #711.5** 10' SQUARE UMBRELLA
with 8 Ribs (1-1/2" Steel Reinforced
or 2" Pole)

RECTANGULAR UMBRELLAS

- MODEL #716** 6' x 8'
RECTANGULAR UMBRELLA
(1-1/2" Steel Reinforced Pole)
- MODEL #718** 8' x 10'
RECTANGULAR UMBRELLA
(2" Steel Reinforced Pole)



INCREDIBLE WOODEN UMBRELLA

Winner of the Silver ADEX Award
for Design Excellence.

Our Incredible Umbrella surpasses
the needs of the hospitality industry.

MODEL #719 8' x 10' RECTANGULAR
INCREDIBLE UMBRELLA
(2" Aluminum Pole)

AWARD WINNING DESIGN

Our Incredible Umbrella rises to the expectations of the hospitality industry and has won the Silver ADEX Award for Design Excellence. No umbrella this size clears a table with ease and lack of interference like the Incredible Umbrella. The spring loaded hub lifts the ribs up and out of the way when closing the umbrella, contributing to the comfort of your dining guests. Other high end features of this incredible umbrella are listed below.

EXCEPTIONAL FEATURES

- Heavy 2" x 3/4" Eight-Rib design
- Oversized, horizontally laminated Ash hub
- 2" diameter aluminum pole in wood tone powder coat finish
- Double pulley system with rustic green fleck rope and brass cleat
- Brass pin and chain to keep umbrella in the open position
- Brass screws and washers for fastening the canopy to the frame
- Brass L-brackets to secure canopy to the ribs



INCREDIBLE ALUMINUM UMBRELLA

Our new contemporary designed Incredible Aluminum Umbrella, offers the same great incredible umbrella features and more!

Model #220

Model #218P



MODEL #218P 8' HEXAGON INCREDIBLE ALUMINUM UMBRELLA (Pultrusion Ribs & 1-1/2" Pole)*

MODEL #220 7' SQUARE INCREDIBLE ALUMINUM UMBRELLA (Aluminum Ribs & 1-1/2" Pole)*

*Available in either unbreakable pultrusion or aluminum ribs.

NEWLY DESIGNED UMBRELLA

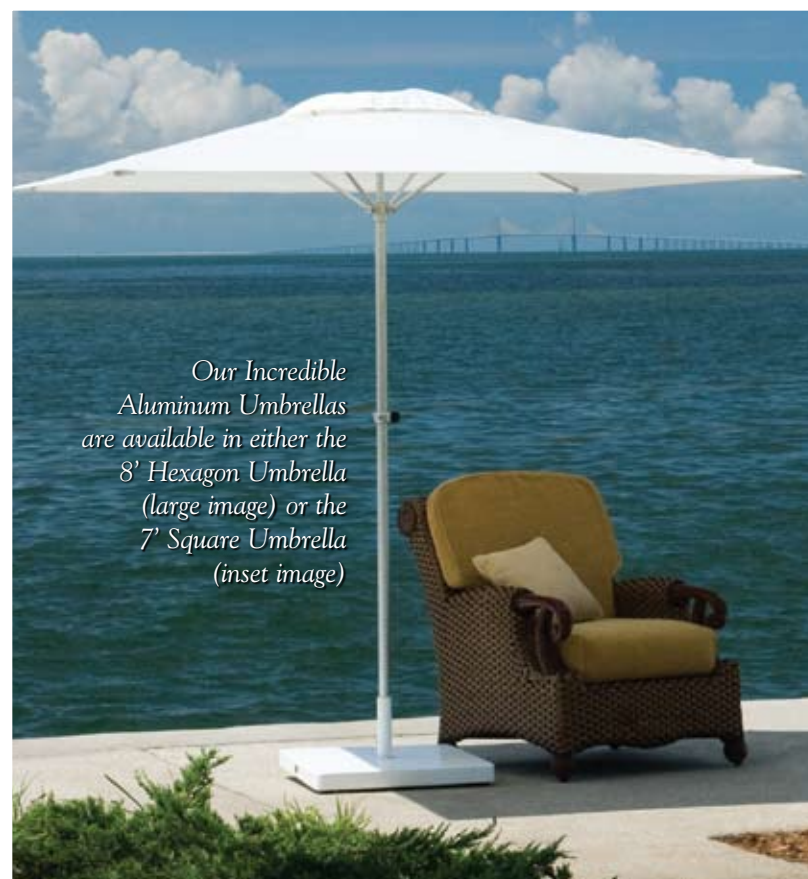
Our New Incredible Aluminum Umbrella uses a unique inner / outer pole system coupled with an innovative compression devise to lift the ribs, up and out of the way for clearance of the table.

EXCEPTIONAL FEATURES

- Machined aluminum hub with removable U-brackets
- UHMW plastic insert inside the hub prevents scratching on the pole
- Compression knob eliminates pin & chain
- Reinforced pockets secure the canopy to the ribs of the frame, guaranteed not to fail.
- Must be secured by ties when in the closed position
- 80" head clearance (113" overall height in closed position)
- Available in single vent only
- Standard auto opening feature



Eco friendly brushed aluminum has hand polished finish saving the environment from any coating process by using high grade marine aluminum.



Our Incredible Aluminum Umbrellas are available in either the 8' Hexagon Umbrella (large image) or the 7' Square Umbrella (inset image)



American Holtzkraft, Inc.
Market Umbrellas and Outdoor Furnishing
shown at Waterside at Coquina Key, St. Petersburg, Florida

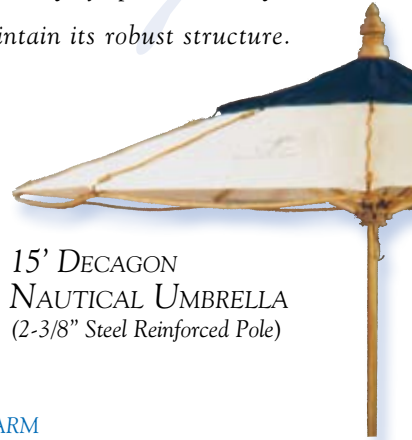
Held in place (both open and closed) by a newly designed compression system.



Compression knob eliminates pin & chain

NAUTICAL COLLECTION

Worthy of the high-seas, this collection features a truss design that stands up to foul weather and can be customized with an array of options and styles and still maintain its robust structure.



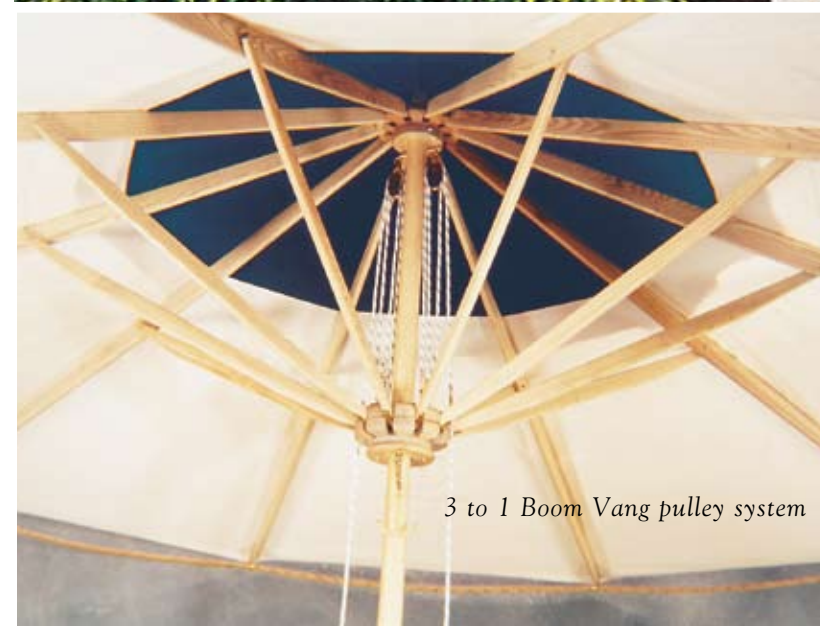
MODEL #722 15' DECAGON
NAUTICAL UMBRELLA
(2-3/8" Steel Reinforced Pole)

NAUTICAL CHARM

- Rugged Seaside Gray stain is approved for marine applications
- Extra heavy solid brass decorative boat anchor attaches to oversized positioning pin and chain
- Decorative hemp line circles the canopy, running through solid brass loops at each rib end. (Optional lines available)

UNIQUE FEATURES

- Innovative decagon (10-rib) design increases strength and panel support
- Enlarged top and bottom hub girth accommodates the decagon design
- Dual 3 to 1 ratio Boom Vang pulley system (manufactured by American Holtzkraft) eases opening of the umbrella
- New computer-generated and wind tested truss-like rib design and rib-hub connection increase strength and permit easy replacement of individual ribs on site
- Specially designed air-vent system enhances durability under windy conditions



3 to 1 Boom Vang pulley system

WOODEN PAGODA UMBRELLA

The graceful lines of this old-fashion umbrella, is just one more example of American Holtzkraft's customized offerings.



MODEL #WP702 8' WOODEN
PAGODA
UMBRELLA
(1-1/2" or 2" Steel Reinforced Pole)

OLD FASHION ELEGANCE

- Octagon market umbrella
- Beautifully framed inside with eight steam bent wooden ribs
- Reinforced laminated pole with full-length galvanized steel pipe center

OPTIONAL FEATURES

- Lighting ring attached to top hub powered by 4 volt battery pack
- Option K with standard LED lights imbedded in the ribs
- 8 foot rotating canopy
- Rotating canopy which releases stress from pole and hubs, allowing umbrella to be left open in most weather conditions (Patent No 5020557)

Shown: Rotating Canopy Hub &
Down Lighting LED Lighting Option K



SYNTHETIC THATCH COLLECTION

Features an innovative, natural looking thatch canopy made from injection molded resin and precisely attached to the umbrella canopy.



MODEL #ST701 6' SYNTHETIC THATCH UMBRELLA (2" Steel Reinforced Pole)

MODEL #ST702 8' SYNTHETIC THATCH UMBRELLA (2" Steel Reinforced Pole)

NATURAL LOOKING STYLE

- Canopy is easily taken off or placed onto an existing umbrella
- Designed for water and air drainage, for long life of thatched canopy
- Attractive both open or closed
- Decagon hub with oversized "truss-like" ribs
- Double rigged double pulley system

OPTIONAL FEATURES

- Option K with standard LED lights imbedded in the ribs
- Fire retardant thatch
- Frames are available sand-blasted and toned for a natural look



Thatch Umbrella frames are available sand-blasted and toned for authentic natural looking style.



American Holtzkraft Thatch Umbrellas blend beautifully with natural landscapes.

Our Thatch Umbrellas are fully functional and attractive both open or closed.

THEME PARK COLLECTION

Built to last, these aluminum umbrellas bring strength and durability to the marketplace.



Model #202B



Model #202P



Model #203SRP



ALUMINUM UMBRELLAS

MODEL #201B 6.5' ALUMINUM ROTATING CANOPY UMBRELLA
(with aluminum ribs & 1-1/2" Pole)

MODEL #201P 6.5' ALUMINUM ROTATING CANOPY UMBRELLA
(with pultrusion ribs & 1-1/2" Pole)

MODEL #202B 8.5' ALUMINUM ROTATING CANOPY UMBRELLA
(with aluminum ribs & 1-1/2" Pole)

MODEL #202P 8.5' ALUMINUM ROTATING CANOPY UMBRELLA
(with pultrusion ribs & 1-1/2" Pole)

MODEL #203SRP 9' STAR UMBRELLA
(with pultrusion ribs & 1-1/2" Pole)

Our new and improved hub is solid aluminum, machined down to a sleek modern design. Each rib is fastened to the hub via stainless steel pins, which are secured by large screws, permitting easy repairs in the field. This durable umbrella and our patented rotating canopy, will permit you to experience the most dependable umbrella in the industry for all weather conditions.

STANDARD ALUMINUM UMBRELLA FEATURES

- Marine grade aluminum pole tempered to provide lasting strength & durability
- Rotating canopy (Patent No. 5020557) releases stress from the pole and hubs
- Brushed aluminum finish or white polyurethane powder coat finish
- Stainless steel hardware and neoprene spacers protect all moving parts from corrosion and allow for easy operation
- Reinforced pockets secure the canopy to the ribs of the frame, guaranteed not to fail.

OPTIONAL FEATURES

- Double vent - allows air to escape from the canopy
- Anodized aluminum finish
- Unbreakable pultrusion ribs



THEME PARK COLLECTION - PAGODA

Festive is the atmosphere this uniquely designed pagoda umbrella will create for your guests.



MODEL #205 8.5' PAGODA
UMBRELLA
(1-1/2" Pole)

If you are tired of the old-fashioned traditional wire frame aluminum umbrellas, bending out of shape with dangerous metal ends protruding from the fabric - then this pagoda style umbrella is your replacement. Superb quality and engineering are standard on this exceptional addition to our fine line of market umbrellas.

UNIQUE FEATURES

- Pagoda style spring-loaded finial which assists in the opening process, while maintaining tautness of the fabric in the open position
- Rib framework of 3/4" tubular aluminum and heavy 1/16" wall thickness
- Reinforced pockets secure the canopy to the ribs of the frame, guaranteed not to fail.
- Available in anodized aluminum or white polyurethane powder coat finish



MEGASHADE COLLECTION

Provide waterproof shade up to 40 feet in diameter, in an upscale look only a push-button away!

MODEL #325 25' STAINLESS STEEL MEGASHADE UMBRELLA (with automatic push button opening system)

MODEL #M325 25' STAINLESS STEEL MEGASHADE UMBRELLA (with manual opening system)

MODEL #340 40' STAINLESS STEEL MEGASHADE UMBRELLA (with automatic push button opening system)

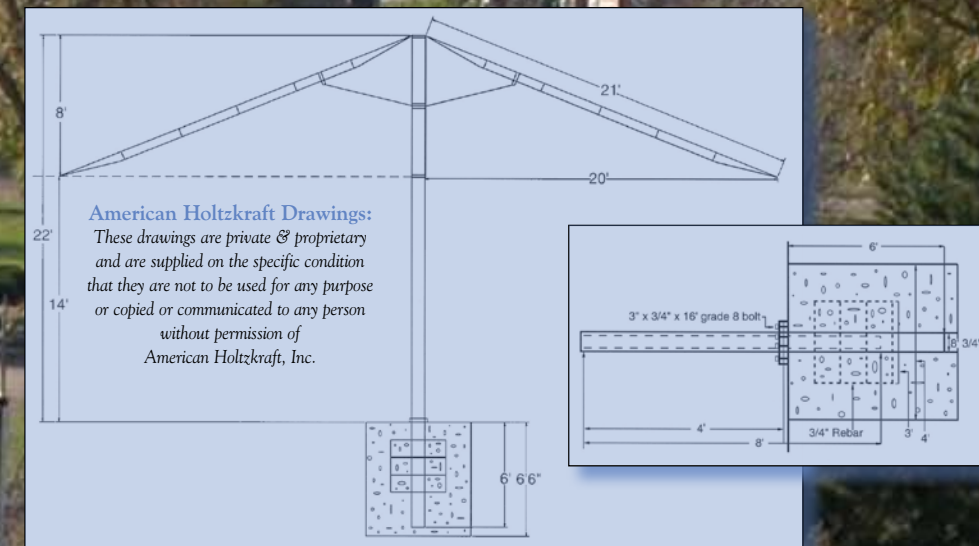
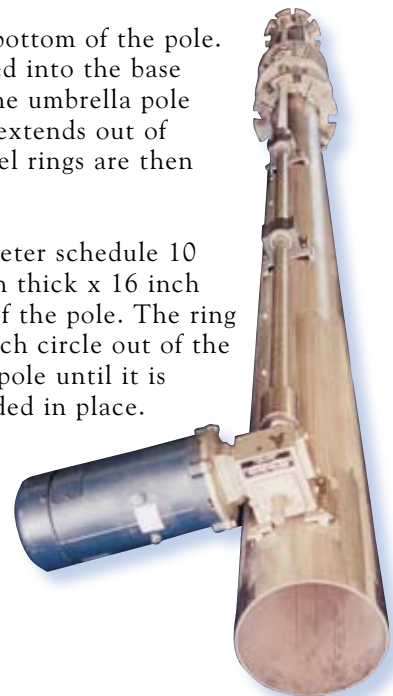
MODEL #M340 40' STAINLESS STEEL MEGASHADE UMBRELLA (with manual opening system)

Enjoy the ease of the MegaShade opening system designed and patented by our engineers at American Holtzkraft, Inc. Truss like construction on ribs attached to robot hubs mounted on our heavy-walled stainless steel pole in an impressive design.

The base consists of a 6 foot steel pipe which is also an 8 inch ID and has a steel ring attached to the top of it, similar to the bottom of the pole. An 8 inch OD x 8 foot long pipe is then fitted into the base with 4 foot extending down into the base. The umbrella pole is then slid over the remaining 4 foot which extends out of the top of the base. The 1 inch x 16 inch steel rings are then bolted together.

The umbrella pole consists of an 8 inch diameter schedule 10 stainless steel pole 20 feet long, with a 1 inch thick x 16 inch diameter steel ring attached to the bottom of the pole. The ring is attached to the pole by cutting an 8-3/4 inch circle out of the 16 inch diameter ring and fitting it over the pole until it is flush with the end of the pole. It is then welded in place.

Caution: MegaShade Umbrellas must be CLOSED in windy conditions.



MEGASHADE COLLECTION

Provide waterproof shade up to
40 feet in diameter, in an upscale look
only a push-button away!

STANDARD FEATURES

- Quick easy opening by push button remote, hands-off control
- Clears furniture during the closing process
- All non-corrosive stainless steel hardware
- Solid heavy-wall stainless steel umbrella pole and hub
- Industry's legendary double vented, (our invention) allowing excess air to escape during strong winds
- All acrylic fabric, used for boats and awnings, matching our smaller sized market umbrellas
- Reinforced hew and wear points with quadruple stitching and double fabric thickness
- Simple in-the-field replacement components

MEGASHADE OPTIONS

- Fire resistant fabric
- Manual lift system
- Custom sizes 40 feet or less
- Standard steel for pole, painted to match ribs and hubs
- Umbrella can be shipped assembled in a ready-to-use package

NOTE: Installation must be performed by a qualified contractor and inspected to ensure umbrella and base is secure and function properly for service



MegaShade in closed position



**Guinness Book of World Record
Filing for the World's Largest
Outdoor Umbrella*

CANTILEVER UMBRELLA

This unique design requires no center pole and has a greater clearance height - freeing up precious space.



MODEL #264 10' SQUARE CANTILEVER
UMBRELLA

UNIQUE DESIGN & ENGINEERED FEATURES

- Completely stable in the open position, even in windy conditions
- Utilizes a simple, easy to use opening and closing system. The unit opens and closed with a single, safe crank action.
- Powder coated umbrella frame and heavy rib construction throughout this product makes it an ideal umbrella for the unusual coverage area in your commercial installation
- All replacement parts are in stock and easily accessible for in-use serviceability
- Our Cantilever Umbrella base uses standard concrete pavers - available at most home and garden centers - as base weights. Pavers can also be shipped via freight from American Holtzkraft, Inc. to any of our customers locations.



LED LIGHTING OPTION K

We challenge you to enjoy the most beautiful Tiffany lighting in the world!



OPTION K
UMBRELLA
LED LIGHTING

Our LED Lighting Option K, features 4 volt wiring and neatly concealed LED bulbs, tested for long life and the perfect projection of light, for any moment.

LED lights are available imbedded in each umbrella rib (shown in the upper right photo), or our beautiful down lighting option on the upper hub (shown in the lower right photo).

Our new down lighting option is the first lighting feature offered by American Holtzkraft, Inc. that can be incorporated with our rotating canopy option in areas where wind can be a difficult problem.

No evening bistro should be without this ambience, supplied by our new and improved all night battery, which clips conveniently to the umbrella pole for safe, low voltage wiring (shown in the two middle photos).



CUSTOM LOGO DEVELOPMENT

Many of our umbrella features hold patents for their unique and valuable additions to our products



Logo screen printing is just one of the many custom options offered for your outdoor marketing needs.

Screen printing is possible in as many as 4 different colors, using your own supplied vector formatted artwork of your logo.

LOGO PLACEMENT OPTIONS

- Every canopy panel
- Every other canopy panel
- Every canopy valance
- Every other canopy valance

UMBRELLA STANCHIONS

Our most prestigious umbrella base system can be used in an array of interesting settings.

PART #611 STANCHION BASE

PART #612 QUICK-COUPLING STANCHION SLEEVE

PART #613 BASE HOLE PLUG

Our 304 high-grade stainless steel provides a unique advantage in pool installations.

Imagine a long-lasting beautiful shaded area in your pool or spa, that is easily installed and removable.

Our patented stanchion base and stanchion sleeve insert works magnificently with our umbrellas for almost any installation.

DESIGN FEATURES

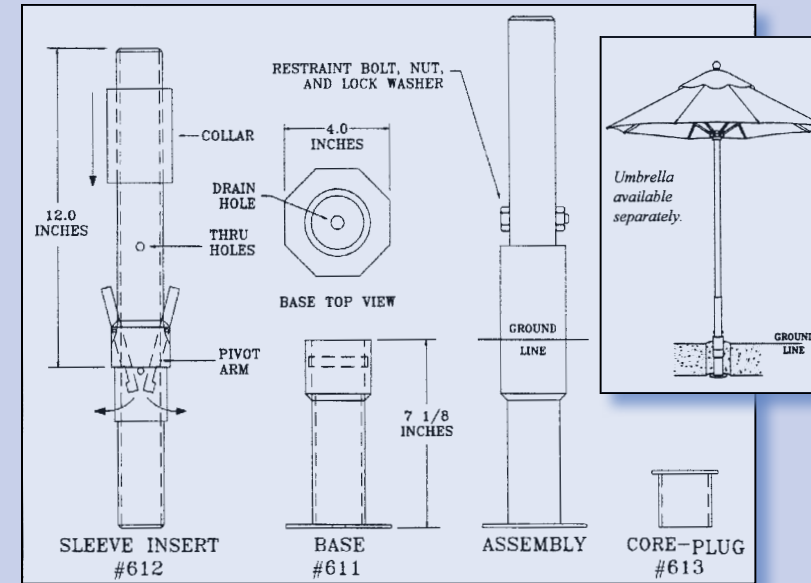
- Base is set permanently in the ground, a drainage hole is included.
- Sleeve provides vertical pole stability.
- Two pivot arms automatically lock the sleeve to the base, when umbrella is inserted into the assembly.
- Tamper-free, sleeve will not separate from the base until the pole is removed (Patented Locking Design No. 5337989)
- Restraint bolt secures the pole to the assembly, preventing the collar from sliding upward exposing the pivot arms.
- Sleeve may be removed from the base when not in use, a plug fits into the base when the sleeve is removed.
- Stainless steel construction provides superior corrosion resistance.



Pictured here and at right is a unique in-pool surface installation.

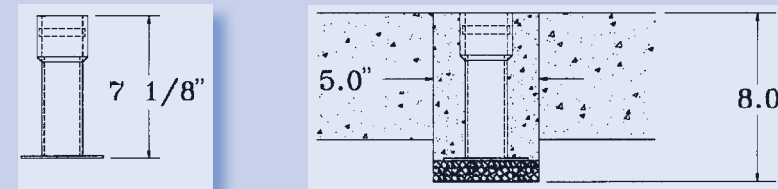
AMERICAN HOLTZKRAFT DRAWINGS
These drawings are private & proprietary and are supplied on the specific condition that they are not to be used for any purpose or copied or communicated to any person without permission of American Holtzkraft, Inc.

#612 QUICK-COUPLING STANCHION SLEEVE & #611 STANCHION BASE

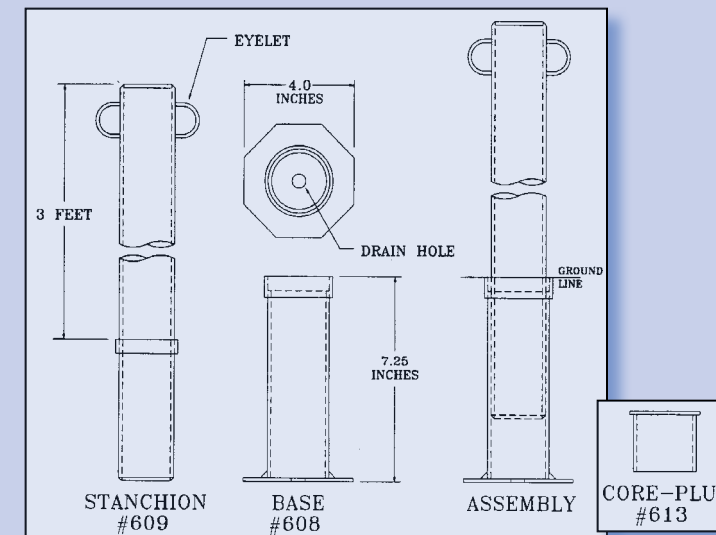


QUICK-COUPLING UMBRELLA STANCHION BASE INSTALLATION

1. Drill 5 inch diameter by 8 inch deep hole through slab and into ground.
2. Tightly pack approximately 1 inch of rock fill into hole until base rests flush and level with the ground surface. It is important to tightly pack filler in order to minimize future settling effects.
3. Pour concrete or equivalent into hole around base.



PART #609 CROWD CONTROL STANCHION AND PART #608 STANCHION BASE



#612 Sleeve Insert

Pictured at left is an example of an unlatched #612 Quick-Coupling Stanchion Sleeve inserted in place in the #611 Stanchion Base, which is installed in a cross section of concrete

When the sleeve is removed, #613 Base Hole Plug is used to seal off the base hole.

Below: Part #613 Base Hole Plug



#611 Base

For 1-1/2" diameter poles, use:

- PART #611** STANCHION BASE
- PART #612** QUICK-COUPLING STANCHION SLEEVE
- PART #613** BASE HOLE PLUG

For 2" diameter poles, use:

- PART #611A** STANCHION BASE
- PART #612A** QUICK-COUPLING STANCHION SLEEVE
- PART #613A** BASE HOLE PLUG

For 2-3/8" diameter poles, use:

- PART #611B** STANCHION BASE
- PART #612B** QUICK-COUPLING STANCHION SLEEVE
- PART #613B** BASE HOLE PLUG

NOTE: Installation must be performed by a qualified contractor and inspected to ensure base is properly secured.

NOTE: Read and follow base installation instructions completely.

UMBRELLA STAND COLLECTION

Our sturdy and durable stands and bases are the ultimate addition for showcasing your umbrellas.

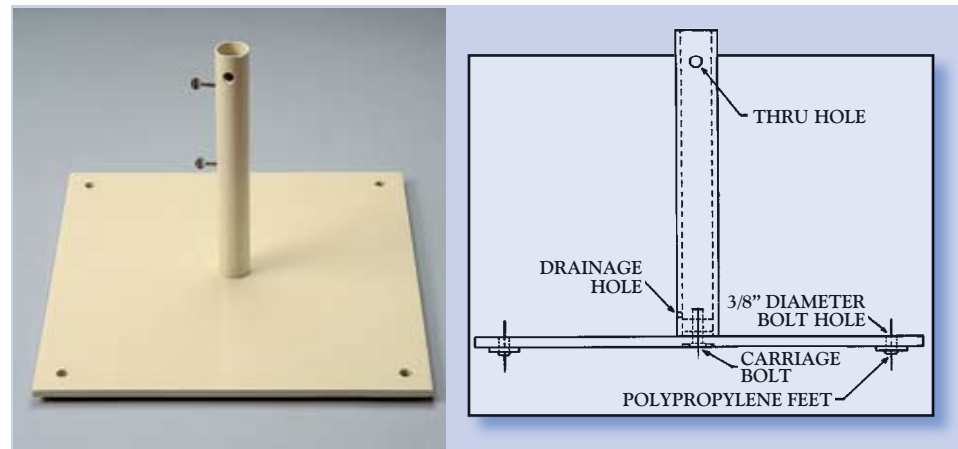
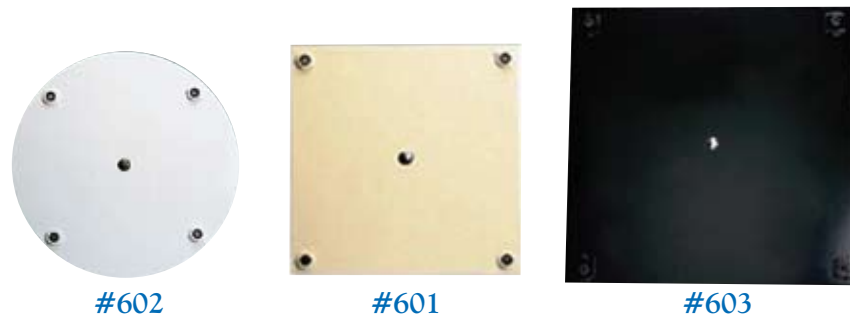
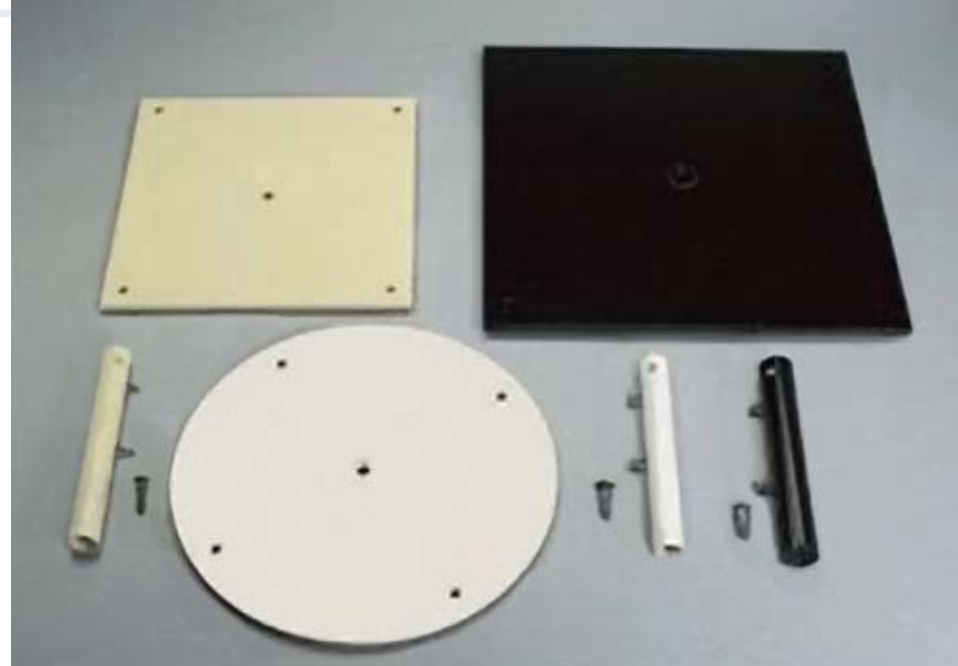
UMBRELLA STANDS
STAND #602 57 POUNDS
 24-1/2" DIAMETER
 (3/8" Thick)

STAND #601 71 POUNDS
 21-1/2" SQUARE
 (1/2" Thick)

STAND #603 138 POUNDS
 30" SQUARE
 (1/2" Thick)

DESIGN FEATURES

- Two-piece construction assembles easily with one carriage bolt.
- Thru holes are provided near the top of the sleeve for securing the umbrella to the stand with a restraint pin or bolt (see Note below).
- A drainage hole at the bottom of the sleeve eliminates water buildup.
- Four 3/8" diameter holes are provided in the base plate for securing the stand to the surface on which it rests (see Note below).
- Thick, durable feet made of long-lasting tested molded polypropylene provide protection against surface scratches and keeps the base plate off the ground, minimizing moisture buildup.
- Heavy steel construction provides sound umbrella support.
- Standard painted finishes in black, white and almond.



UMBRELLA STAND & BASE OPTIONS

- Three stands to choose from (see above). Ask your representative which umbrella stand is right for your umbrella use.
- Three sleeve sizes for 1-1/2" diameter, 2" diameter and 2-3/8" diameter poles, to choose from.
- Available in black, white and almond powder-coat finish.

NOTE: Read and follow instructions included with the umbrella stand.

UMBRELLA ALUMINUM BASES

Our stands and bases are engineered to withstand everyday use and weather, for a long-life.



UMBRELLA BASES
BASE #631 74 POUNDS
 23-1/2" SQUARE
 (2-1/2" Thick)

BASE #633 96 POUNDS W/ WHEELS
 29-3/4" DIAMETER
 (2-3/4" Thick)

BASE #635 126 POUNDS W/ WHEELS
 29-3/4" SQUARE
 (2-3/4" Thick)

DESIGN FEATURES

- Aluminum shells ship without sand to minimize freight costs. Sand is required for proper base installation.
- Thru holes are provided on the sleeve for securing the umbrella to the stand with a restraint pin or bolt (see photo 1).
- Sleeve is welded to a round plate that is secured underneath the base to prevent the sleeve from pulling out of the shell (see photo 2).
- Thick durable feet made of polypropylene provide protection against surface scratches and keeps the base plate off the ground. (see photo 3).
- Wheels are standard on the two larger base sizes.
- Standard finishes; black, white, almond or brushed aluminum.

BASE #631



BASE #633



BASE #635



INTERNATIONAL COLLECTION

International & worldwide traditions,
providing elegant lasting styles.

MODEL #760 4' x 8' BEACH CABANA



Marine-grade aluminum frame is totally collapsible and features boat and awning weight fabric choice. This original design has been refined to perfection and functions flawlessly while protecting even the most discriminating guest.



This Beach Cabana features an inclusive side pocket at no extra charge - the perfect place to conveniently store a magazine, sunscreen or your favorite sunglasses - out of the way, but within reach.

Our Beach Cabana can be color-coordinated to match any of our market umbrellas.



INTERNATIONAL COLLECTION

ALUMINUM FRAME

MODEL #241 7' x 7' TENT CABANA

MODEL #244 10' x 10' TENT CABANA

WOOD FRAME

MODEL #741 7' x 7' TENT CABANA

MODEL #744 10' x 10' TENT CABANA



Frame construction of our marine-grade aluminum or wood Tent Cabanas, are easy to assemble for the privacy of your guests and parties.



All grades of fabrics are available with two convenient sizes to fit any pool or patio area.

Our wood framed Tent Cabanas, features a quickly-collapsible option (pictured at left) for foul weather.



AMERIKRAFT™ SYNTHETIC WOOD FURNITURE

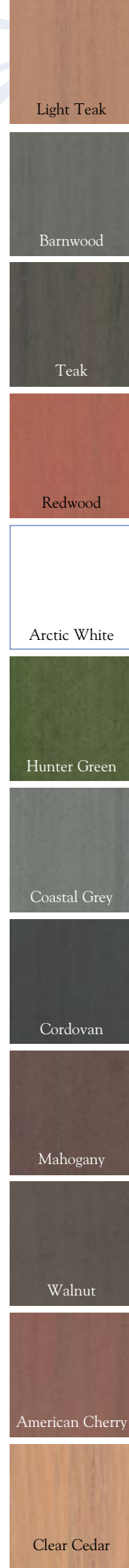
The great look of wood,
but with easy care, maintenance
and great environmental advantages.

Amerikraft™ Furniture is the most realistic synthetic wood available. No other product comes as close to the look and feel of natural wood. We offer a wide variety of standard options and we also provide custom profiles and colors. The only limitation is our collective imagination!

Choose from standard or custom colors, including solid colors and stain-looking finishes to simulate a realistic wood appearance. In addition, we can color match almost any wood appearance, whether natural, stained or painted. And we can texture the surface to provide a more realistic wood effect. We will work with you to give you just the right appearance. Some of our most popular colors are shown at the right (Colors are as accurate as possible. Contact your sales associate for actual samples).

AMERIKRAFT™ ADVANTAGES

- Weather resistant - no rotting, warping, swelling or splintering
- Maintenance free
- Insect resistant
- Water repellent with a Non-slip surface
- UV stable - no color fading
- Thermally efficient
- Can be nailed, screwed and sawn like wood
- 100% recyclable, during both production and post-consumer use
- No secondary processing/handling



Item #5858 Towel Distribution Bin



Item #5859
Towel Return Bin



Item #5876 Tray Receptacle / Condiment Stand



Item #5323 Bistro Table & Chairs (available in round table also)



Item #5548A Red Cedar Octagonal Picnic Table



Item #5320 Red Cedar Bar Chair
& Dining Chair



Item #5875 TV Cabinet
Closed & Open (insert)



White Picket Fence Collection in Arctic White: Item #5800 Waste Receptacle, Item #5406 6' Bench, Item #5824 24" Square Planter, Item #5814 14" Square Planter

AMERIKRAFT™ SYNTHETIC WOOD FURNITURE

*The great look of wood,
but with easy care, maintenance
and great environmental advantages.*

Little maintenance is required to keep Amerikraft™ Furniture looking good. Hot soapy water to remove dirt and debris is the best choice for cleaning our synthetic wood products. Amerikraft is a hard material with a non-porous surface, therefore it does not readily stain and most spills do not stick.

The use of recycled polystyrene in our products, helps to address government, local authority and business concerns about landfill and recycling requirements. Amerikraft is a realistic alternative to hardwood and contributes to the reduction of deforestation of our hardwood forests.

Amerikraft Furniture is extruded to its finished shape and color, meeting customer requirements, and reducing material waste. Although our furniture can be painted and stained with wood stains, this is not a necessity, as the furniture's color is produced during production. This avoids using chemically based stains, paints and solvents that can be harmful to the environment.

ENVIRONMENTAL ADVANTAGES

- Addresses government concerns of landfill and recycling requirements
- Reduces deforestation of our hardwood forests
- 100% recyclable in both manufacturing & post consumer use
- Extruded to its finished shape and color reduces waste and the use of environmentally harmful paints, stains and solvents



Item #5405
Five Foot Walnut Bench



Item #5561 Side Table
Round & Square options



Item #5406
Six Foot Red Cedar Bench



Item #5548R
Round Slatted Table



Item #5874
Cabinet



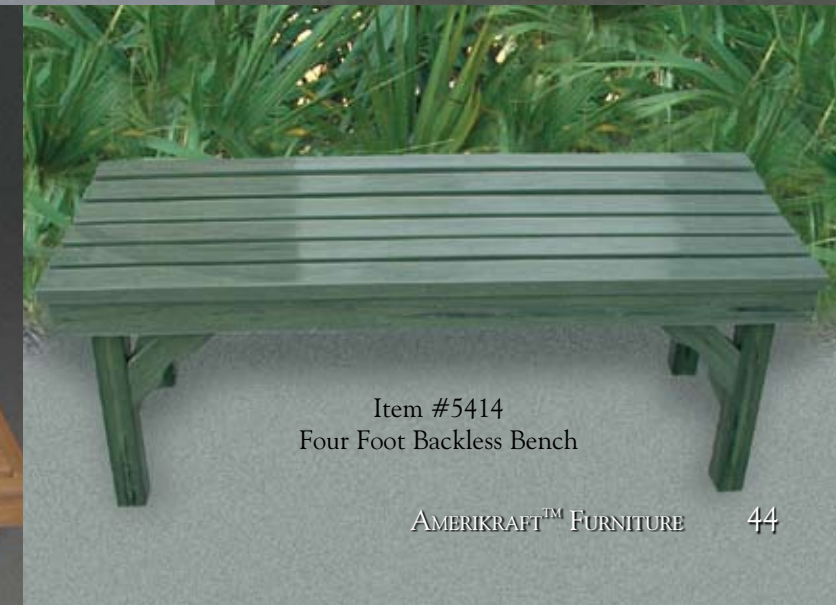
Item #5328
Adirondack Chair



Item #5355 Chaise Lounge



Item #5350
Double Chaise Lounge



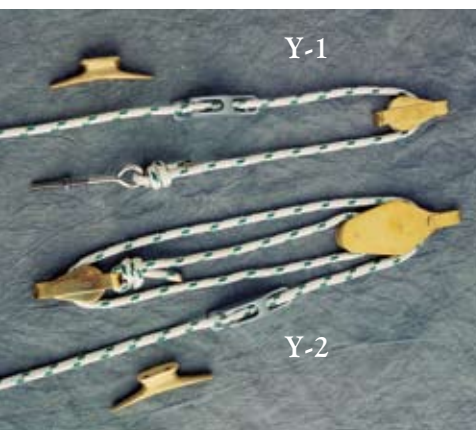
Item #5414
Four Foot Backless Bench

PRODUCT INDEX

ITEM NO.	PRODUCT DESCRIPTION
701	6' Octagon Umbrella (1-1/2" pole)
702	8' Octagon Umbrella (1-1/2" pole)
703.5	10' Octagon Umbrella (1-1/2" steel reinforced pole or 2" pole)
705	12.5' Octagon Umbrella (2" steel reinforced pole or 2-3/8" pole)
706	15' Octagon Umbrella (2" steel reinforced pole or 2-3/8" pole)
707	5' Square Umbrella (1-1/2" pole)
709	7' Square Umbrella with 8 ribs (1-1/2" pole or 2" pole)
710	8' Square Umbrella (1-1/2" steel reinforced pole or 2" pole)
711.5	10' Square Umbrella (1-1/2" steel reinforced pole or 2" pole)
716	6' x 8' Rectangle Umbrella (1-1/2" steel reinforced pole)
718	8' x 10' Rectangle Umbrella (2" steel reinforced pole)
719	Incredible 8' x 10' Rectangle Umbrella (2" steel reinforced pole)
722	15' Decagon Umbrella (2-3/8" steel reinforced pole) (Nautical option available)
726	8' Market Umbrella with 6 ribs (1-1/2" pole)
T701	6' Thatch Umbrella (2" steel reinforced pole)
T702	8' Thatch Umbrella (2" steel reinforced pole)
T705	12.5' Thatch Umbrella (2-3/8" steel reinforced pole)
ST701	6' Synthetic Thatch Umbrella (2" steel reinforced pole)
ST702	8' Synthetic Thatch Umbrella (2" steel reinforced pole)
WP702	8' Wooden Pagoda Umbrella (2" steel reinforced pole)
241	7' x 7' Tent Cabana (1-1/2" aluminum frame)
244	10' x 10' Tent Cabana (1-1/2" aluminum frame)
741	7' x 7' Tent Cabana (1-1/2" steel reinforced wooden frame)
744	10' x 10' Tent Cabana (1-1/2" steel reinforced wooden frame)
750	10' x 12' Portable Awning Umbrella (2" steel reinforced poles)
760	4' x 8' Beach Cabana
201B	6.5' Aluminum Rotating Canopy Market Umbrella (1-1/2" pole)
201P	6.5' Aluminum Rotating Canopy Market Umbrella with pultrusion ribs (1-1/2" pole)
202B	8.5' Aluminum Rotating Canopy Market Umbrella (1-1/2" pole)
202P	8.5' Aluminum Rotating Canopy Market Umbrella with pultrusion ribs (1-1/2" pole)
202MU	8.5' Misting Aluminum Market Umbrella (1-1/2" pole)
203SRB	9' Star Aluminum Rotating Canopy Market Umbrella (1-1/2" pole)
203SRP	9' Star Aluminum Rotating Canopy Market Umbrella with pultrusion ribs (1-1/2" pole)

OPTIONS

- A Automatic Opening
- B Rotating Canopy
- C Double Vent
- D Steel Reinforced Pole
- G1 Wood Tone Finish
- G2 Painted Finish
- K Lighting Package



- Y-1 Single Brass Pulley
- Y-2 3 to 1 Ratio Brass Pulley System
- Y-3 Sheaffer Marine Stainless Steel 3 to 1 Ratio Pulley System

PRODUCT INDEX

ITEM NO.	PRODUCT DESCRIPTION
205	8.5' Pagoda-Style Aluminum Umbrella (1-1/2" pole)
218	8' Hexagon Incredible Aluminum Umbrella with aluminum ribs (1-1/2" pole)
218P	8' Hexagon Incredible Aluminum Umbrella with pultrusion ribs (1-1/2" pole)
220	7' Square Incredible Aluminum Rectangle Umbrella with aluminum ribs (1-1/2" pole)
220P	7' Square Incredible Aluminum Rectangle Umbrella with pultrusion ribs (1-1/2" pole)
264	10' Square Cantilever Umbrella
325	25' Stainless Steel MegaShade Umbrella with automatic push button opening system
M325	25' Stainless Steel MegaShade Umbrella with manual opening system
340	40' Stainless Steel MegaShade Umbrella with automatic push button opening system
M340	40' Stainless Steel MegaShade Umbrella with manual opening system
445	Bistro Aluminum Chair
450	6' Aluminum Bench with Teak Slats
455	6' Aluminum Bench with No Back with Teak Slats
470	6' Aluminum Bench with Metal Slats
485	6' Backless Aluminum Bench
601*	1/2" x 21-3/4" Steel Square Base (71 lbs.)
602*	3/8" x 24-1/2" Steel Round Base (57 lbs.)
603*	1/2" x 30" Steel Square Base (138 lbs.)
631*	2-3/4" x 23-3/4" Aluminum Shell; Square Stand (74 lbs.)
633*	2-3/4" x 29-3/4" Aluminum Shell; Round Stand with wheels (96 lbs.)
635*	2-3/4" x 29-3/4" Aluminum Shell; Square Stand with wheels (126 lbs.)
	*Stands available with 1-1/2", 2" or 2-3/8" necks
608	Crowd Control Stanchion Base
609	Crowd Control Stanchion
611**	Quick-Coupling Base for Item #612 & Item #617
612**	Quick-Coupling Umbrella Stand Insert
613	Core Plug for Item #611
617	Quick-Coupling Table Pedestal / Umbrella Stand*
	**All stanchions available with 611 (1-1/2"), 611A (2") or 611C (2-3/8") neck sizes
5350	Double Chaise Lounge with Attached Beach Cabana

UP CHARGES

- 5% Awning Grade Fabric
- 15% Firesist Fabric
- 15% Valance
- 25% Teak Wood